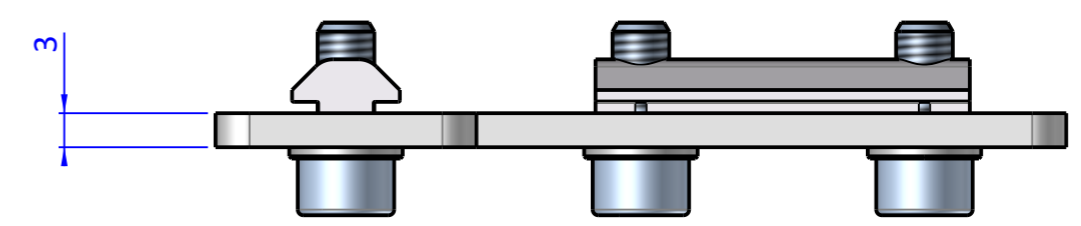
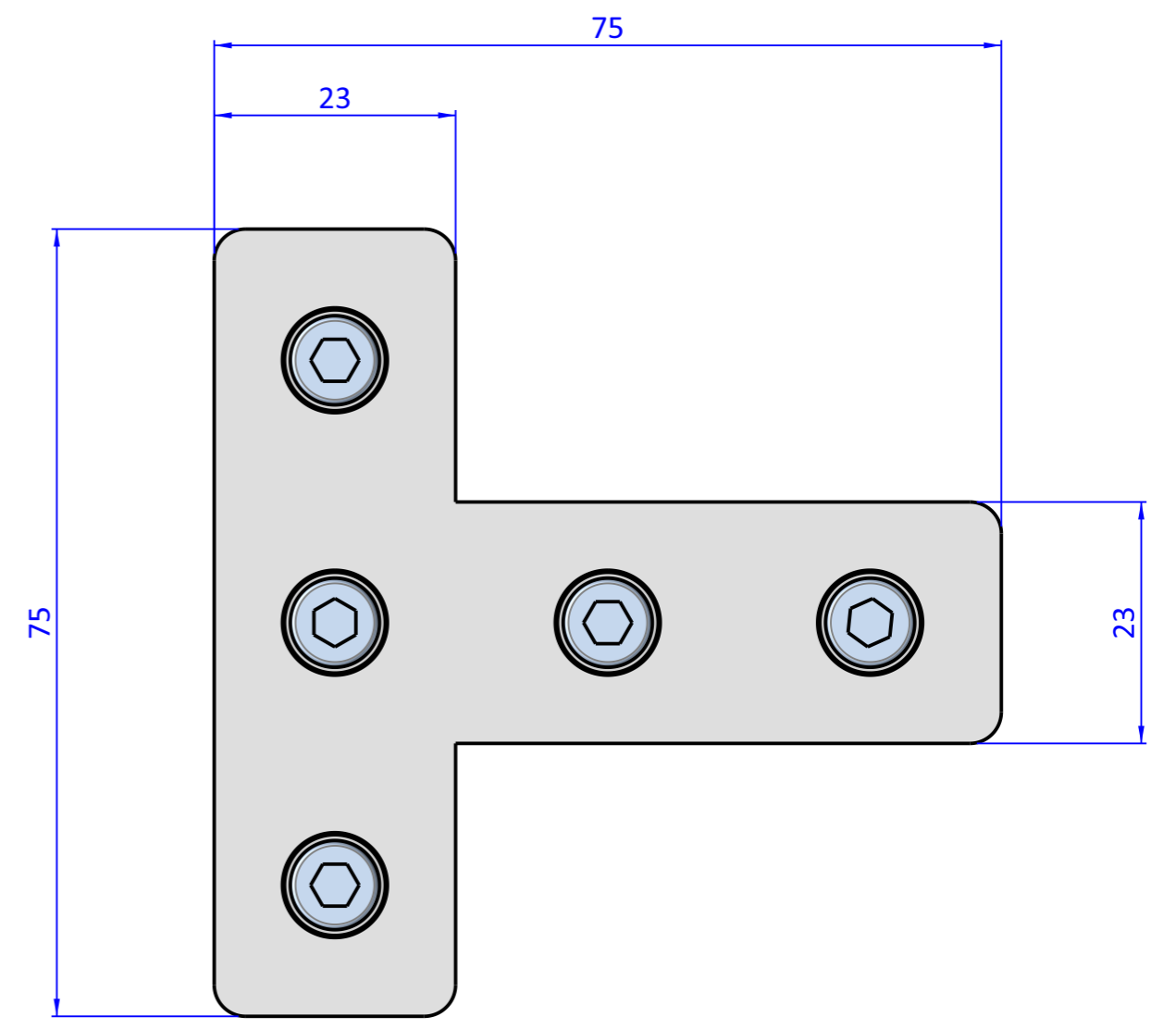
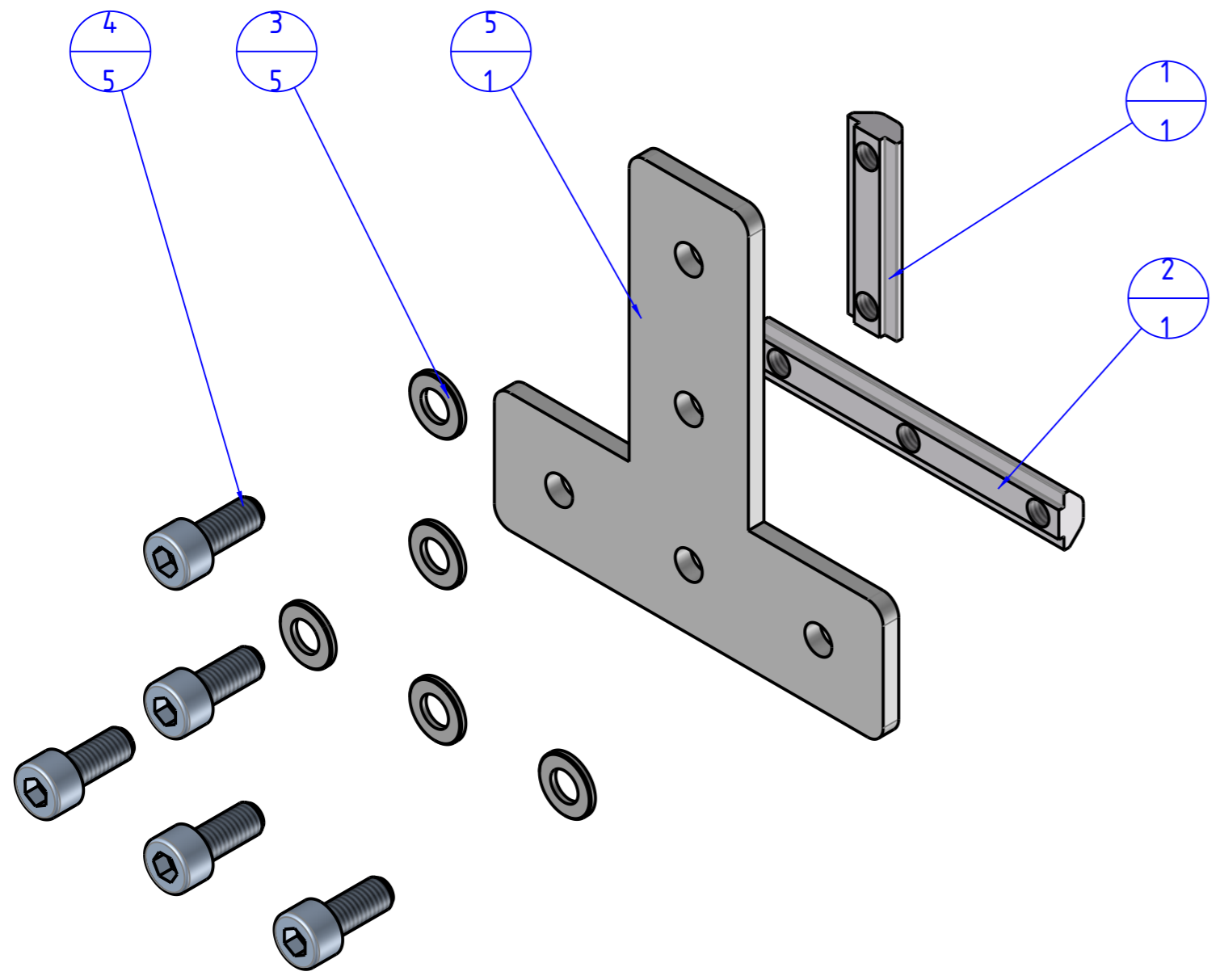



Item	Name	Qty.
1	CA.GWP.5.25.F	1
2	CA.GWP.5.25.3.F	1
3	R.5	5
4	V.TCE5x12	5
5	VBT.75.75	1



THE PROPERTY OF THE DRAWING IS ESTABLISHED BY LAW. IT IS FORBIDDEN TO PRODUCE OR SHOW IT TO THIRD PART, WITHOUT A WRITTEN AGREEMENT.

Format A3  
UNI 936-76

 <b>FPS</b> FPSERVICES AUTOMATION		DESIGNED FROM <b>FPS Automation</b>		REVIEW <b>A</b>	
		DATE -	WEIGHT <b>0,094kg</b>		
GENERAL TOLERANCE UNI - ISO 2768 CLASSE f	DESCRIPTION <b>CA.VBT.50.75.5</b>		CODE <b>CA.VBT.50.75.5</b>		